

### SPECIFICATIONS

| 23REDE                        |   |
|-------------------------------|---|
| <b>Display</b>                |   |
| Screen Size                   | 23 Inch                                 |
| Max. Resolution               | 1920 x 1080 @ 60Hz                      |
| Pixel Pitch                   | 0.265 x 0.265mm                         |
| Brightness                    | 250cd/m <sup>2</sup>                    |
| Contrast Ratio                | 1000 : 1                                |
| Aspect Ratio                  | 16 : 9                                  |
| Viewing Angle (H/V)           | 170° / 160°                             |
| Display Color                 | 16.7 Million                            |
| Response Time                 | < 5ms                                   |
| Video System                  | NTSC / PAL                              |
| <b>Interface</b>              |   |
| Video In / Out (BNC Type)     | 2 In / 2 Out                            |
| HDMI In                       | 1 In                                    |
| S-Video In / Out              | 1 In                                    |
| VGA In (15Pin D-Sub)          | 1 In                                    |
| Audio In (RCA Type)           | 1 In                                    |
| PC Stereo In                  | 1 In                                    |
| <b>Transmitter</b>            |   |
| Remote Control                | Yes                                     |
| <b>Audio</b>                  |   |
| Built-in Speakers             | Yes (1W x 2)                            |
| <b>Features</b>               |   |
| Filter Type                   | 3D Adaptive Deinterlace                 |
| Auto Source Sequencing        | Yes                                     |
| Multi Language                | English, Dutch, Spanish, French, Korean |
| <b>General</b>                |   |
| Outline Dimension (W x H x D) | 22.84" x 16.13" x 6.70"                 |
| Net Weight                    | 4.99Kg (11.02 lbs)                      |
| Material / Color              | ABS Plastic / Black                     |
| Desk Top Stand                | Tilt Back                               |
| Part / Labor                  | 2year / 2year                           |
| Consumption: < On             | < 35W                                   |
|                               | AC100 ~ 240V(50/60Hz)                   |
| Electrical Ratings            | DC12V / 3.5A                            |
| Operating Temperature         | 0 ~ 40°C / 32 ~ 104°F                   |
| Storage Temperature           | -20 ~ 60°C / -4 ~ 140°F                 |
| <b>Mounts</b>                 |   |
| VESA™ Mount Size              | 100 x 100mm                             |
| Wall                          | WB-5, WB-10, WB-30, WB-31               |
| Ceiling                       | CMK-01                                  |

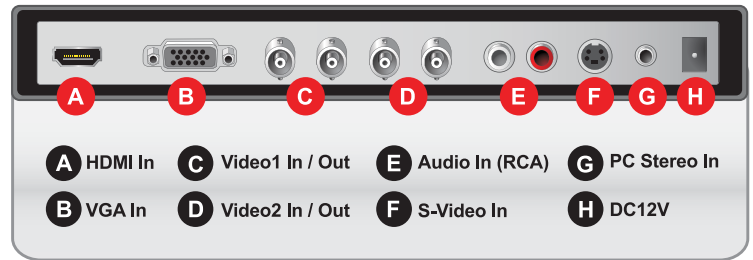
\*Design and specifications are subject to change without notice

### TILT CAPABILITY

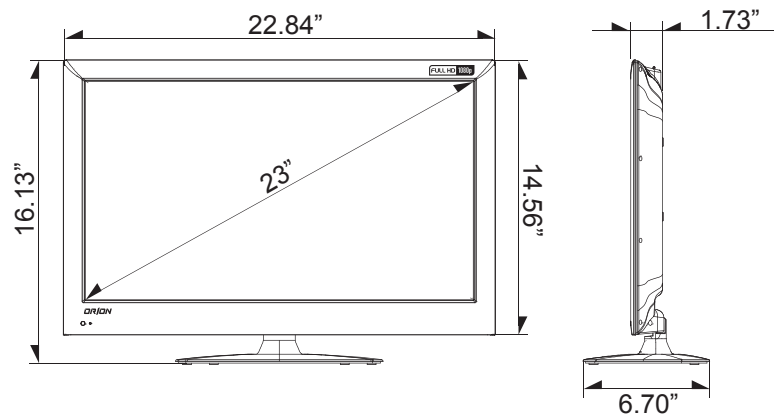
REDE series has flexible tiltable desktop stand capability



### INPUT INTERFACE



### DIMENSIONS



### OPTIONAL MOUNTS

