

SPECIFICATIONS

21REDE	
Display	
Screen Size	21.5 Inch
Max. Resolution	1920 x 1080 @ 60Hz
Pixel Pitch	0.24825 x 0.24825mm
Brightness	250cd/m ²
Contrast Ratio	1000 : 1
Aspect Ratio	16 : 9
Viewing Angle (H/V)	170° / 160°
Display Color	16.7 Million
Response Time	< 5ms
Video System	NTSC / PAL
Interface	
Video In / Out (BNC Type)	2 In / 2 Out
HDMI In	1 In
S-Video In / Out	1 In
VGA In (15Pin D-Sub)	1 In
Audio In (RCA Type)	1 In
PC Stereo In	1 In
Transmitter	
Remote Control	Yes
Audio	
Built-in Speakers	Yes (1W x 2)
Features	
Filter Type	3D Adaptive Deinterlacer
Auto Source Sequencing	Yes
Multi Language	English, German, Spanish, French, Italian
General	
Outline Dimension (W x H x D)	21.17" x 15.93" x 5.91"
Net Weight	3.99Kg (8.815 lbs)
Material / Color	ABS Plastic / Black
Desk Top Stand	Tilt Back
Part / Labor	2year / 2year
Consumption: < On	< 32W
	AC100 ~ 240V(50/60Hz)
Electrical Ratings	DC12V / 3.5A
Operating Temperature	0 ~ 40°C / 32 ~ 104°F
Storage Temperature	-20 ~ 60°C / -4 ~ 140°F
Mounts	
VESA™ Mount Size	75 x 75mm
Wall	WB-5, WB-10, WB-30, WB-31
Ceiling	CMK-01

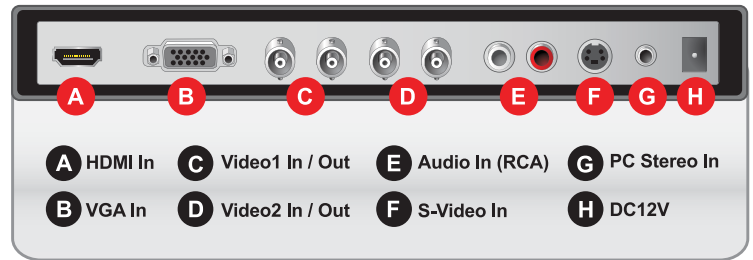
*Design and specifications are subject to change without notice

TILT CAPABILITY

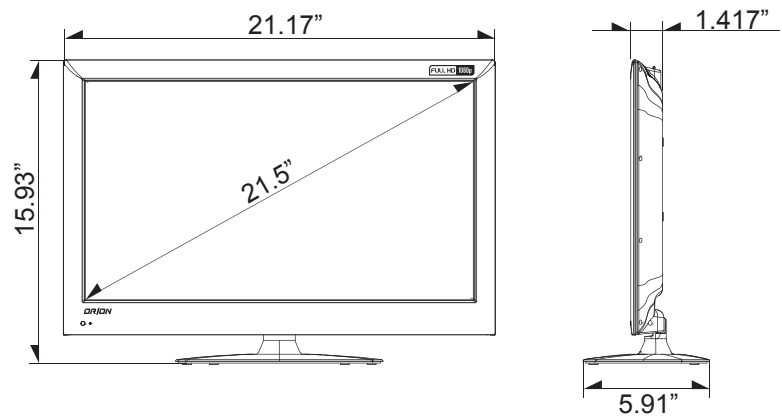
REDE series has flexible tiltable desktop stand capability



INPUT INTERFACE



DIMENSIONS



OPTIONAL MOUNTS

