

### SPECIFICATIONS

18REDE	
<b>Display</b>	
Screen Size	18.5 Inch
Max. Resolution	1366 x 768 @ 60Hz
Pixel Pitch	0.3 x 0.3mm
Brightness	250cd/m <sup>2</sup>
Contrast Ratio	1000 : 1
Aspect Ratio	16 : 9
Viewing Angle (H/V)	160° / 160°
Display Color	16.7 Million
Response Time	< 5ms
Video System	NTSC / PAL
<b>Interface</b>	
Video In / Out (BNC Type)	2 In / 2 Out
HDMI In	1 In
S-Video In / Out	1 In
VGA In (15Pin D-Sub)	1 In
Audio In (RCA Type)	1 In
PC Stereo In	1 In
<b>Transmitter</b>	
Remote Control	Yes
<b>Audio</b>	
Built-in Speakers	Yes (1W x 2)
<b>Features</b>	
Filter Type	2D Comb Filter
Auto Source Sequencing	Yes
Multi Language	English, German, Spanish, French, Italian
<b>General</b>	
Outline Dimension (W x H x D)	18.34" x 13.81" x 5.91"
Net Weight	3.42Kg (7.56 lbs)
Material / Color	ABS Plastic / Black
Desk Top Stand	Tilt Back
Part / Labor	2year / 2year
Consumption: < On	< 30W
	AC100 ~ 240V(50/60Hz)
Electrical Ratings	DC12V / 3.5A
Operating Temperature	0 ~ 40°C / 32 ~ 104°F
Storage Temperature	-20 ~ 60°C / -4 ~ 140°F
<b>Mounts</b>	
VESA™ Mount Size	75 x 75mm
Wall	WB-5, WB-10, WB-30, WB-31
Ceiling	CMK-01

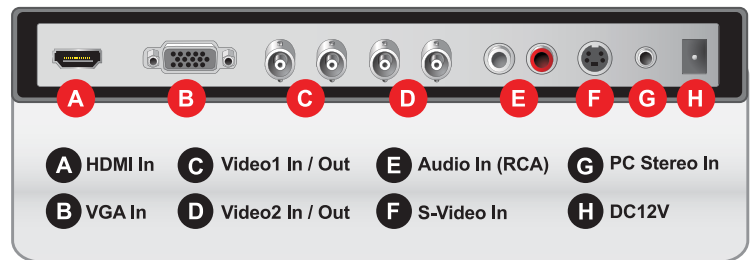
\*Design and specifications are subject to change without notice

### TILT CAPABILITY

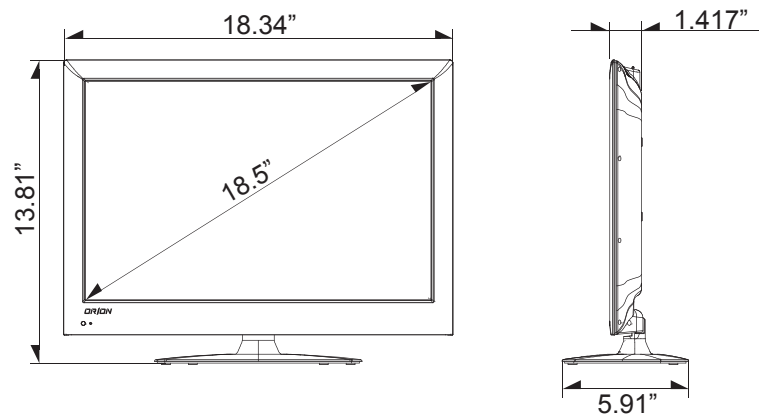
REDE series has flexible tiltable desktop stand capability



### INPUT INTERFACE



### DIMENSIONS



### OPTIONAL MOUNTS

