

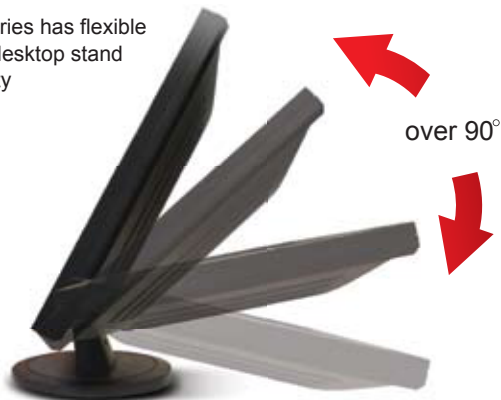
SPECIFICATIONS

17RCM	
Display	
Screen Size	17 Inch
Max. Resolution	1280 x 1024 @ 75Hz
Pixel Pitch	0.264 x 0.264mm
Brightness	250cd/m ²
Contrast Ratio	800 : 1
Aspect Ratio	4 : 3
Viewing Angle (H/V)	160° / 160°
Display Color	16.2 Million
Response Time	< 5ms
Video System	NTSC / PAL
Interface	
Video In / Out (BNC Type)	1 In / 1 Out
HDMI In	1 In
S-Video In / Out	0 In
VGA In (15Pin D-Sub)	1 In
Audio In (RCA Type)	2 In
PC Stereo In	1 In
Transmitter	
Remote Control	Optional
Audio	
Built-in Speakers	Optional
Features	
Filter Type	N/A
LCD Protection Glass	N/A
Multi Language	English, Spanish, French, German, Italian
General	
Outline Dimension (W x H x D)	14.7" x 12.26" x 2.32"
Net Weight	3.6Kg (7.9lbs)
Material / Color	ABS Plastic / Black
Desk Top Stand	Tilt Back
Part / Labor	2year / 2year
Consumption: < On	< 35W
	AC100 ~ 240V(50/60Hz)
Electrical Ratings	DC12V / 3.5A
Operating Temperature	0 ~ 50° C / 32 ~ 122° F
Storage Temperature	-20 ~ 60° C / -4 ~ 140° F
Mounts	
VESA™ Mount Size	75 x 75mm
Wall	WB-5, WB-10, WB-30, WB-31
Ceiling	CMK-01
Rack	RMK-08

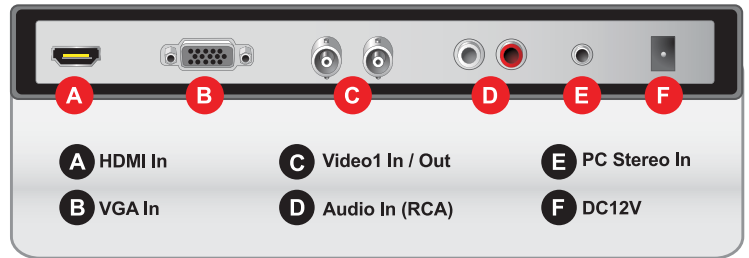
*Design and specifications are subject to change without notice

TILT CAPABILITY

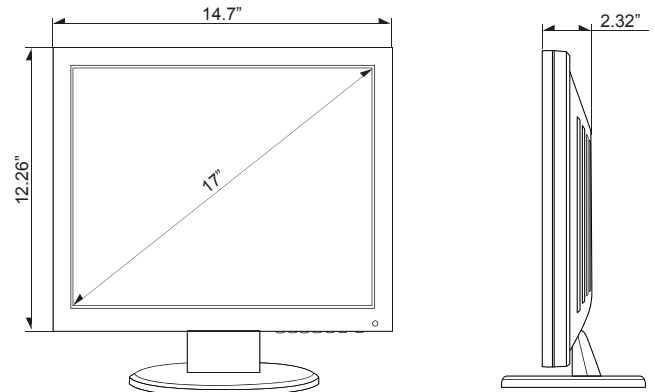
RCM series has flexible tiltable desktop stand capability



INPUT INTERFACE



DIMENSIONS



OPTIONAL MOUNTS

