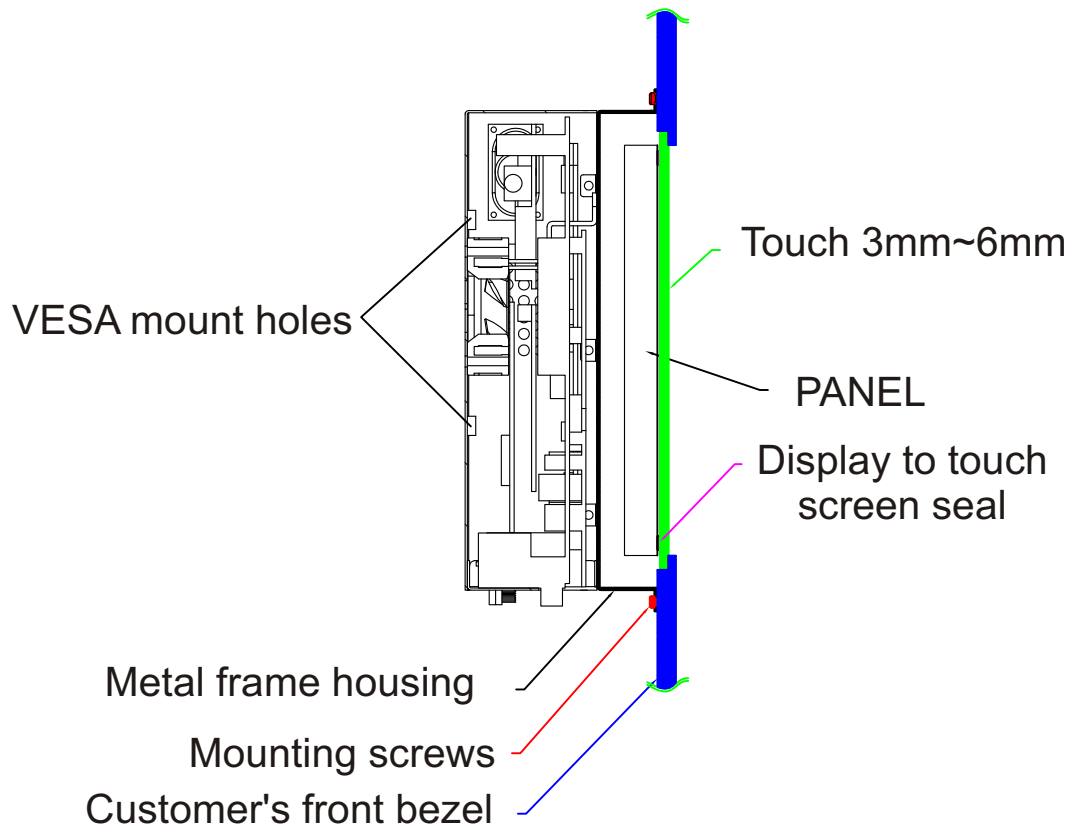


Mounting Guide

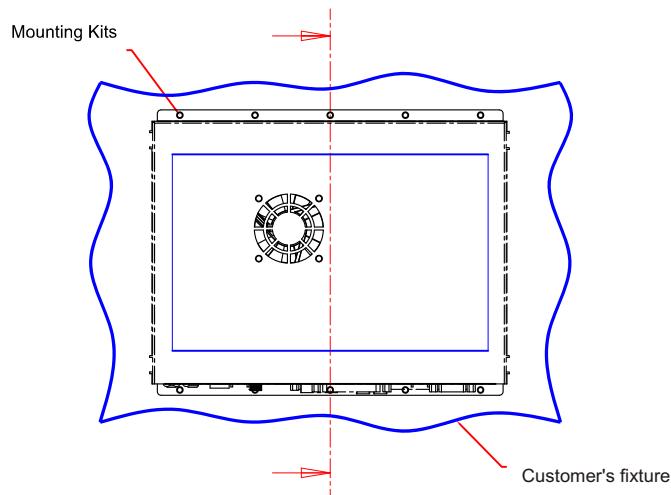
For OPEN FRMAE Panel PC

OPEN FRME Panel PC

- Panel is aligned with the same height of the front of open frame metal housing
- Customers can fix our Panel PC with their own front bezel.
- VESA mount holes are also available for mounting from back side.



SIDE VIEW

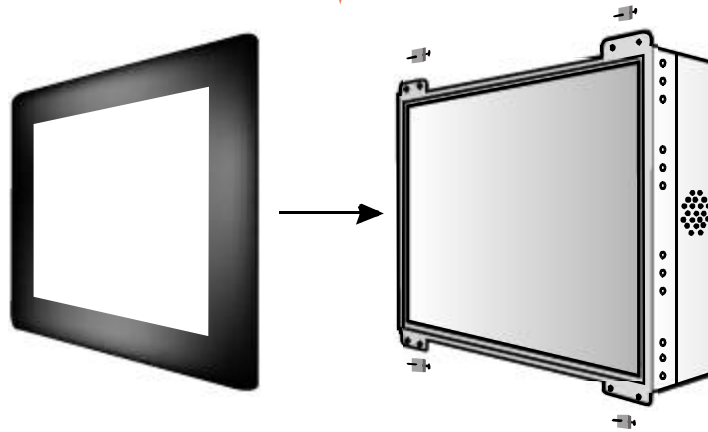


REAR VIEW

Mounting Guide

For OPEN FRMAE Panel PC

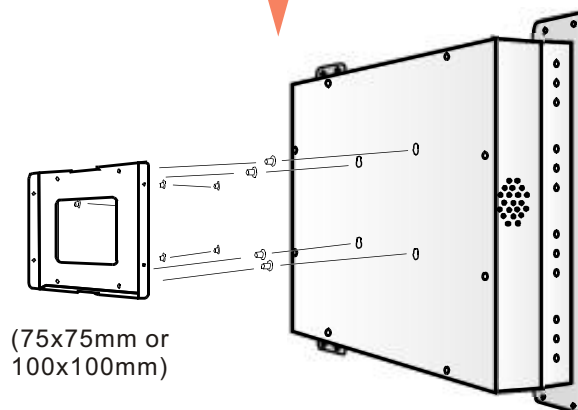
Application 1



PANEL MOUNT

-mount with front bezel and then mounted into customer's panel.

Application 2



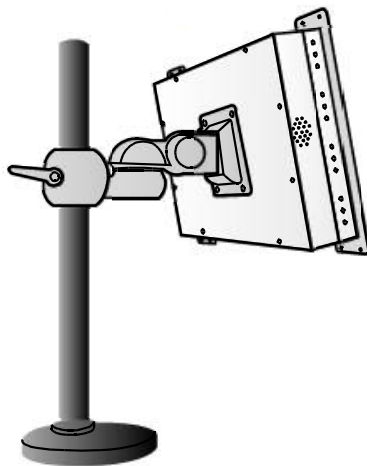
WALL MOUNTING

-mount with VESA mount kits and then mounted into wall.

Mounting Guide

For OPEN FRMAE Panel PC

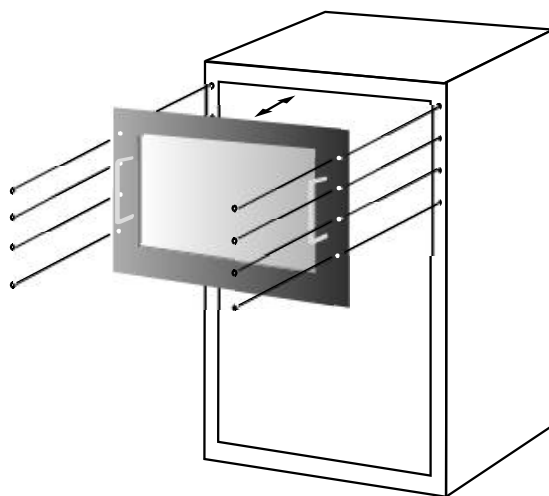
Application 3



ARM MOUNTING

-mount with VESA mount kit
and then mounted with swimming arms.

Application 4



RACK MOUNTING

-mount with rack front bezel and
then mounted into racks.